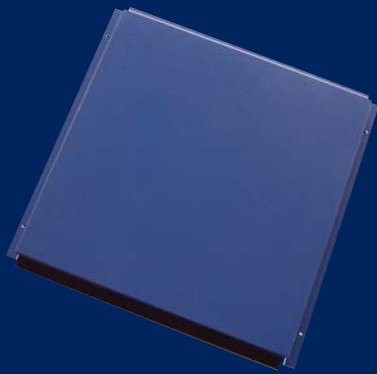


# DEKCASSETTE STANDARD

**DEKCASSETTE®**

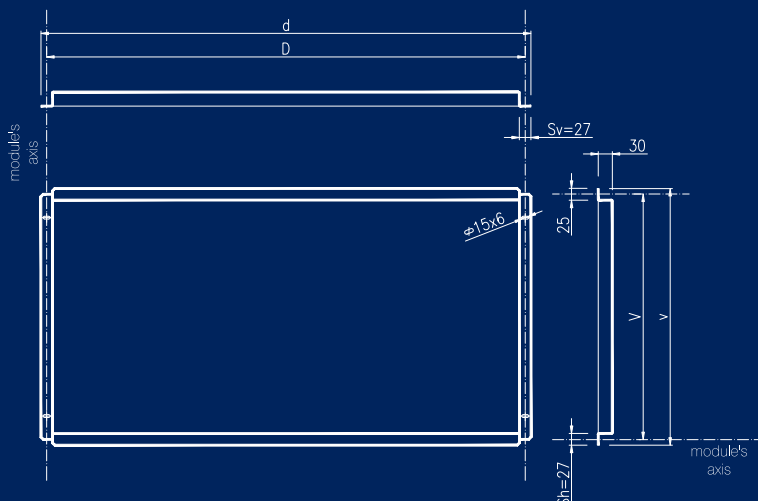
## FACADE CLADDING ELEMENT OF THE DEKMETAL SYSTEM



The **DEKCASSETTE STANDARD** type of the cassette represents the variation of the DEKMETAL Metal Facade System. This system makes possible to create an attractive, cost-effective, light and resistant cladding of the ventilated facades of the industry, office and civil buildings. Using the DEKMETAL facade system makes possible to implement thermal insulation cladding for the whole building facade while the most advanced knowledge of the heat thermal insulation engineering are being met.

The form and design solution of the cassette **DEKCASSETTE STANDARD** enable to create the plain and flat square or rectangular rasters with visible anchorage elements on the facade which give the facade a technical appearance.

The construction and material design that offer the **DEKCASSETTE STANDARD** cassettes in combination with other elements of the DEKMETAL facade system enable to create a wide variety of both color and form solutions of the facade along with meeting ideas of both investors and architects related to the building appearance without essential construction limitation.



# DEKCASSETTE STANDARD

## DESCRIPTION

The facade cassette **DEKCASSETTE STANDARD** represents a bent square or rectangular element equipped with a system of filisters around the whole perimeter. On the facade, it creates a regular raster of gaps with the single gap of 27 mm width. The fastening elements are situated within the gaps. During the assembly, the surface of the cassettes is protected with a protective film.

## DIMENSIONS OF CASSETTES:

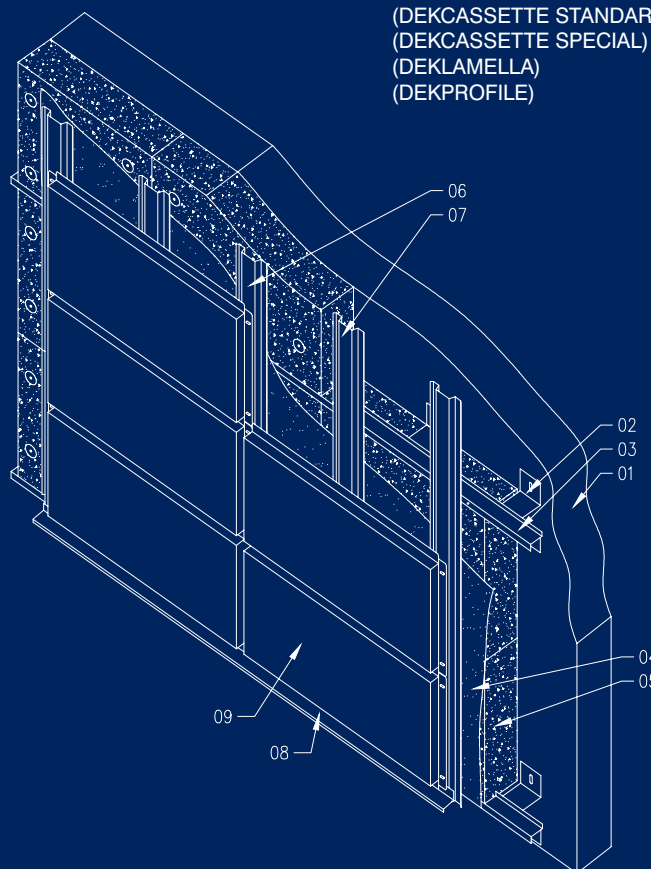
Structural length D (mm)	D + 23
Total length d (mm)	min. 150 max. 1950
Structural height V (mm)	min. 150 max. 500
Total height v (mm)	V + 23
Depth (mm)	30
Horizontal gap S <sub>h</sub> (mm)	27
Vertical gap S <sub>v</sub> (mm)	27
Tin thickness	1,00

## MATERIALS AND SURFACE FINISHING

Basic materials are varnished zinc-coated steel sheets (tin S250 -320GD + Z275 fitted with polyester varnish of thickness 25 and 35 µm according to the chosen type of the surface adjustments) with both glossy and matte colour shades. There is an option to deliver also specific surface adjustments and „décor“ like e.g. the imitation of wooden stone claddings, metallic colours which may crystalically vary, or different degrees of patinated copper, titanium-zinc or corten. There is also possible to process the cassettes from non-ferrous tins (copper, aluminium, titanium-zinc) being delivered in natural, varnished or weathered fitting. These fittings give the facade cassettes very specific and in some cases unparallel appearances.

## Legend:

- 01 - Bearing structure
- 02 - Suspension bracket (console)
- 03 - Profile Z50
- 04 - Diffusional open scruple against wind
- 05 - Thermal insulation from solid planks made from mineral fibres
- 06 - Varnished profile OM80
- 07 - Zinc-coated profile OM50
- 08 - Water bar
- 09 - DEKCASSETTE LE (DEKCASSETTE STANDARD) (DEKCASSETTE SPECIAL) (DEKLAMELLA) (DEKPROFILE)



An integral form part of the DEKMETAL facade system form also the additional elements without static functions. It's all about corners cover profiles, steel lining, flashing of attic, weather moldings, ventilation grills, etc. These elements may vary in format according to customer's requirements.

Self-supporting roofing and cladding products from metal sheets of DEKMETAL comply with the harmonised European standard EN 14782. As far as those products manufactured from steel DEKMETAL complies also with the European standard EN 508-1.

More information in detail about further system elements are contained in individual data sheets and assembly documents which can be downloaded from [www.dekmetal.cz](http://www.dekmetal.cz) or [www.dekmetal.eu](http://www.dekmetal.eu) free.

## CONTACTS

## DEKMETAL

[www.dekmetal.eu](http://www.dekmetal.eu) | [www.dekmetal.cz](http://www.dekmetal.cz) | [www.dekmetal.de](http://www.dekmetal.de)

### DEKMETAL s.r.o.

Tiskarska 10/257  
108 00 Praha 10  
Czech Republic  
Phone: +42/0326971775  
[info@dekmetal.cz](mailto:info@dekmetal.cz)

### DEKMETAL GmbH

Franz-Lehman-Str. 27  
01139 Dresden  
Deutschland  
Handy: +49/1748540121  
[info@dekmetal.de](mailto:info@dekmetal.de)